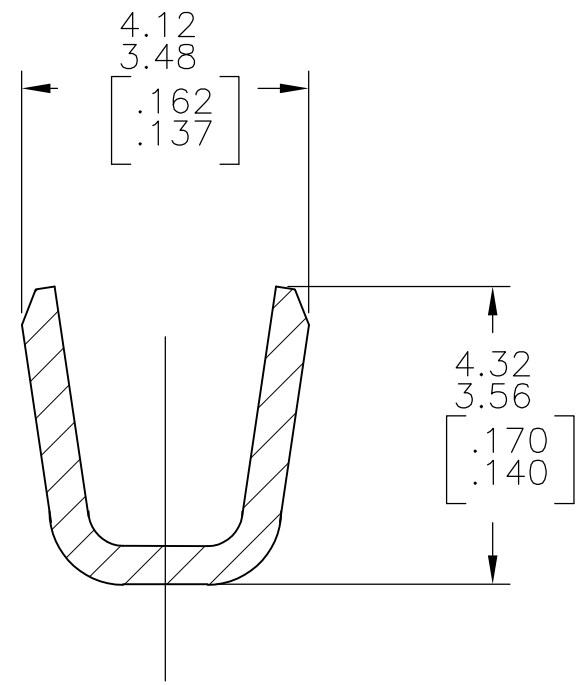
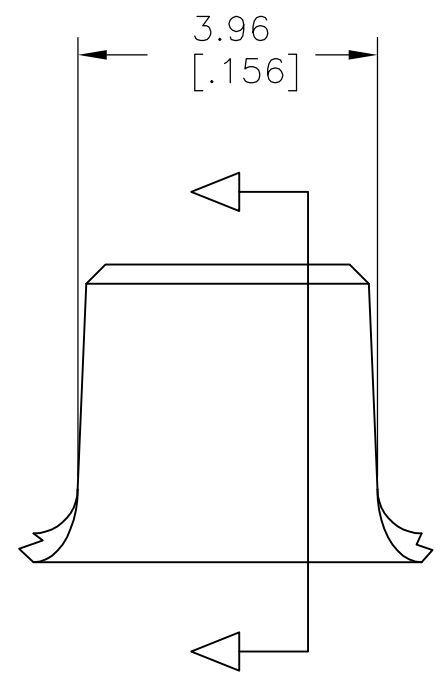
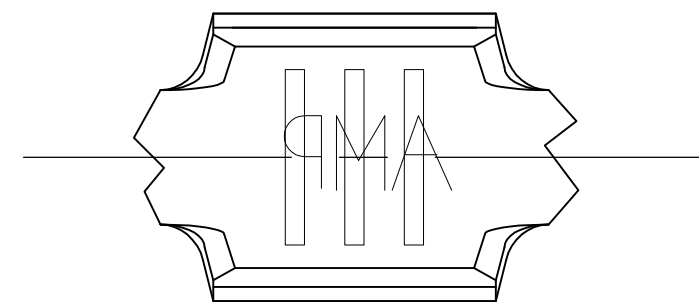


THIS DRAWING IS UNPUBLISHED. RELEASED FOR PUBLICATION
 © COPYRIGHT BY TYCO ELECTRONICS CORPORATION. ALL INTERNATIONAL RIGHTS RESERVED.

LOC	DIST	REVISIONS			
P	LTR	DESCRIPTION	DATE	DWN	APVD
	C1	REVISED PER ECR-11-001036	21JAN11	HMR	GJ

- 1 PRODUCT PROVIDED IN STRIP FORM ON REELS, BREAKS MAY BE PRESENT.
- 2 WIRE RANGE FOR NEW APPLICATIONS : 1.27–2.38mm² [2500–4700 CMA](WIRE RANGE APPROVED FOR APPLICATIONS IMPLEMENTED PRIOR TO 2005: 2000–5300 CMA).
- 3 CRIMP WIDTH: 3.05[.120] F TYPE.
 CRIMP HEIGHT IN INCHES (±.002)=(TOTAL CMA OF WIRES +12240)/220000.



40868
 PART NUMBER

THIS DRAWING IS A CONTROLLED DOCUMENT.		DWN M.S. FEHER 18OCT2004	Tyco Electronics Corporation Harrisburg, PA 17105-3608		
DIMENSIONS: mm [INCHES]	TOLERANCES UNLESS OTHERWISE SPECIFIED:	CHK G.D. PORTA 18OCT2004	NAME		
	0 PLC ± -	APVD G.D. PORTA 18OCT2004	SPLICE		
	1 PLC ± -	PRODUCT SPEC	-		
	2 PLC ± 0.25[.010]	APPLICATION SPEC	114-2088		
	3 PLC ± -	SIZE	CAGE CODE	DRAWING NO	RESTRICTED TO
	4 PLC ± -	114-2088	A3	00779	C-40868
	ANGLES ± 1° 0'	WEIGHT	-		
MATERIAL BRASS	FINISH TIN	CUSTOMER DRAWING		SCALE 10:1	SHEET 1 OF 1
				REV C1	